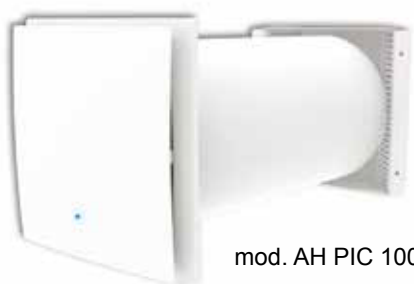


# AH PIC

Static single-flow point heat recovery units and wall-mounted cross flows



mod. AH PIC 30 - 55 - 80



mod. AH PIC 100



Remote control included



ENERGY SAVING



AIR EXCHANGE



HEAT RECOVERY



WI - FI



EFFICIENCY 95%



ENERGY RECOVER

## Technical and construction features

### AH PIC 30 - 55 - 80

Thanks to its reversible operation, the AH PIC 30 - 65 - 80 wall-mounted point recovery unit allows you to create a comfortable microclimate and at the same time allows air to be changed in homes.

AH PIC 30 - 65 - 80 offers the best solution for energy saving and ventilation of residential or commercial premises. The high efficiency of the aspirator - extractor (up to 90%) is guaranteed by the presence of a honeycomb structure heat exchanger made of ceramic material AH PIC 30 - 65 - 80 is easy to install and maintain, it is characterized by an operation silent.

### AH PIC 100

The AH PIC 100 point wall recovery unit is an innovative cross-flow heat recovery system that ensures proper air exchange in closed environments. thanks to the adoption of a high efficiency exchanger up to 95%, it allows the introduction of fresh air at a temperature close to that of the environment concerned, reducing the energy costs that would be incurred with traditional ventilation systems. AH PIC 100 is equipped with two fans which respectively provide for the expulsion of stale ambient air (unhealthy smells, smoke, pollutants, etc.), the other for the simultaneous introduction of new air from the outside. thanks to the particular shape of the exchanger, the expelled stale air and the new one introduced never come into contact with each other.

- all AH PIC models are designed for wall installation - available with flow rates from 30 to 93 m<sup>3</sup> / h
- no condensation during operation
- heat exchanger in high efficiency ceramic material - hole in wall Ø 103 mm - 128 mm - 153 mm - 204 mm
- built-in G2 grade filters
- low energy consumption fan
- suitable for continuous operation
- equipped with 3-speed remote control
- 220VAC - 12VDC power supply supplied
- minimum installation thickness 300 mm for mod. 30-55-80 - minimum installation thickness 370 mm for mod. 100

Model	Air flow m <sup>3</sup> /h	Code	€
AH PIC 30	23 ÷ 28	75801319	668,00
AH PIC 55	23 ÷ 46	75801320	732,00
AH PIC 80	39 ÷ 74	75801321	806,00
AH PIC 100	70 ÷ 91	75801322	1.050,00

## Accessories AH PIC



Cable in coil of 100 meters - 6P for the connection of 4 AH PIC recuperators in cascade

75801323

254,00



Connectors for RJ11 cascade connection cable - pack of 100 pcs

75801324

60,00



Power supply for connection of 4 AH PIC 36W cascade recuperators

mod. 30/55  
mod. 80/100

75801326

included  
42,00

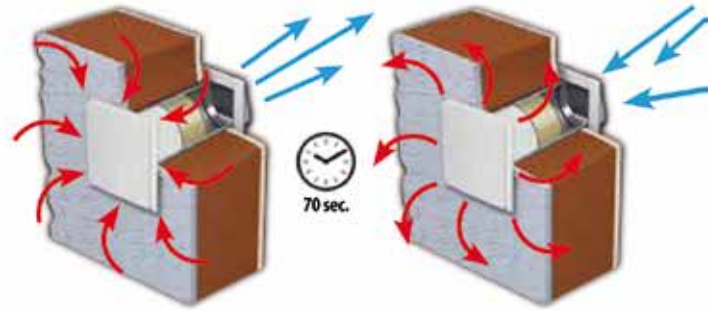
# AH PIC

Static single-flow point heat recovery units and wall-mounted cross flows

## Operation diagram AH PIC

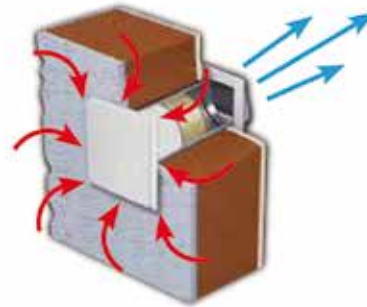
### RECOVERER

The device works for 70 seconds on suction and 70 seconds on injection, with the possibility of adjusting the three speeds. In the case of the recuperator mod. AH PIC 100 the fans work at the same time (extraction and supply).



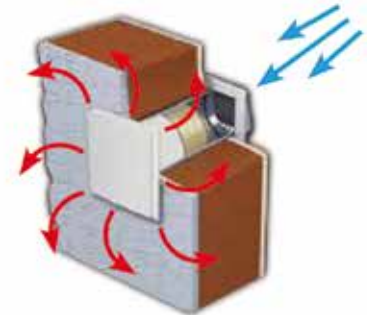
### EXTRACTION

The device works by extracting the internal air of the premises only with the possibility of adjusting the three speeds.



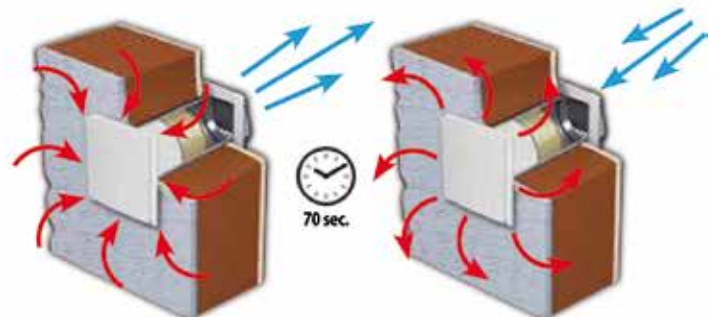
### INTAKE

The device works in intake only by sucking the air outside the house by introducing it into the room, it is possible to adjust the three speeds.



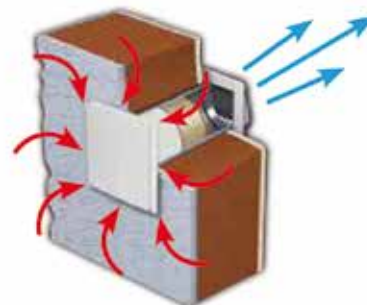
### AUTO1

The device is in stand-by when the air in the environment exceeds the humidity threshold set at 60%, the device starts in a recovery function until the humidity is brought back within the required parameters.



### AUTO2

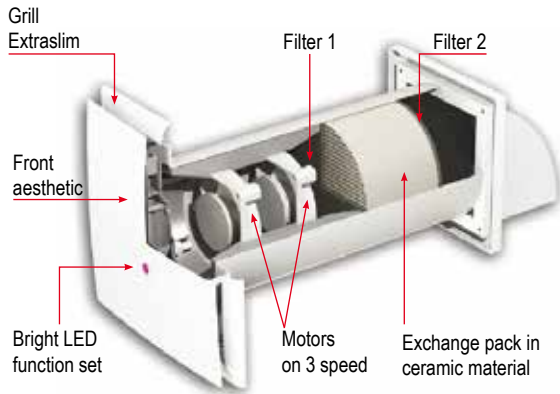
The device is in stand-by when the air in the room exceeds the humidity threshold set at 60%, the device starts in extraction only until the humidity is brought back within the required parameters.



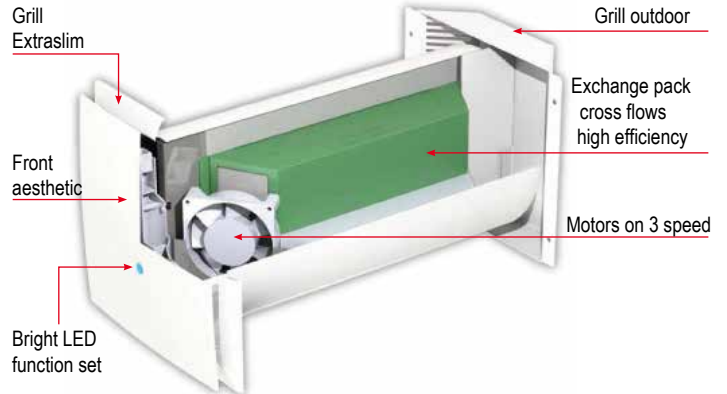
# AH PIC

Static single-flow point heat recovery units and wall-mounted cross flows

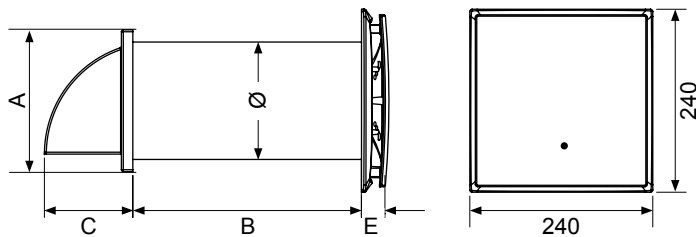
exploded view AH PIC 30-55-80



exploded view AH PIC 100



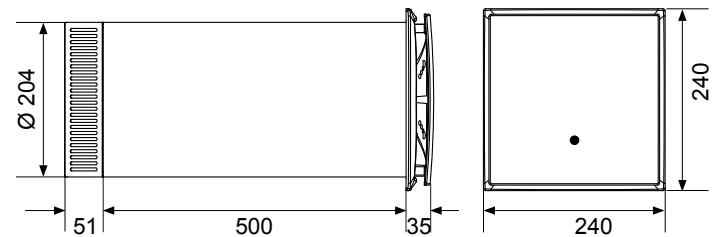
Dimensions AH PIC 30 - 55 - 80



Mod.	A	B	C	Ø	E
30	154	500	86	103	35
55	186	500	101	128	35
80	186	500	101	153	35

Values in mm

Dimensions AH PIC 100



Technical data table AH PIC

Model	U.M.	AH PIC 30			AH PIC 55			AH PIC 80			AH PIC 100		
		1	2	3	1	2	3	1	2	3	1	2	3
Speed	n.	1	2	3	1	2	3	1	2	3	1	2	3
Power supply		230V/1/50Hz											
Power	W	1,3	1,4	1,4	1,3	1,6	2,2	1,7	2,6	3,6	6,6	7,7	8,4
Max current consumption	mA	38	42	47	65,5	73	81	162	180	200	550	640	700
Air flow	m <sup>3</sup> /h	23	25	28	23	35	46	39	64	74	70	81	91
RPM	min-1	1863	2070	2300	2016	2340	2600	2350	2610	2900	3395	4070	4500
Sound pression*	dB(A)	27	28	29	24	28	34	28	35	39	46	48	50
Sound pression**	dB(A)	25	26	27	23	26	32	26	33	37	43	46	47
Temp. max air	°C	-10 / +50											
Regenerator efficiency	%	≤ 90									≤ 95		
Degree of protection		IP 24											
Exchange package material		ceramic									polyester		
Pipe diameter	mm	103			128			153			204		

\* Measured in free field at a distance of 1 meter

\*\* Measured in free field at 3 meters distance