

ECO PLUS

Radiators and heated towel rails high-performance designed to work at low temperature



Radiators ECOPLUS



Towel rails ECOPLUS/T

Radiators ECO PLUS 3 columns white RAL 9016

| Model | Height (mm) | Wheelbase (mm) | Internal element Code | External element Code | Internal element € | External element € |
|---------------|-------------|----------------|-----------------------|-----------------------|--------------------|--------------------|
| 300/3 | 300 | 235 | 55600310 | 55600312 | 20,00 | 26,00 |
| 400/3 | 400 | 335 | 55670310 | 55670312 | 20,00 | 26,00 |
| 500/3 | 500 | 435 | 55685310 | 55685312 | 18,00 | 26,00 |
| 570/3 | 570 | 500 | 55750310 | 55750312 | 18,00 | 24,00 |
| 600/3 | 600 | 535 | 55885310 | 55885312 | 18,00 | 24,00 |
| 670/3 | 670 | 600 | 55180310 | 55180312 | 18,00 | 24,00 |
| 685/3 | 685 | 615 | 55200310 | 55200312 | 18,00 | 24,00 |
| 750/3 | 750 | 685 | 55600410 | 55600412 | 22,00 | 28,00 |
| 770/3 | 770 | 700 | 55670410 | 55670412 | 22,00 | 28,00 |
| 870/3 | 870 | 800 | 55600314 | 55600316 | 22,00 | 28,00 |
| 885/3 | 885 | 815 | 55670314 | 55670316 | 22,00 | 28,00 |
| 900/3 | 900 | 835 | 55690314 | 55690316 | 24,00 | 30,00 |
| 1000/3 | 1000 | 935 | 55685314 | 55685316 | 26,00 | 34,00 |
| 1200/3 | 1200 | 1135 | 55750314 | 55750316 | 38,00 | 50,00 |
| 1500/3 | 1500 | 1435 | 55885314 | 55885316 | 48,00 | 64,00 |
| 1800/3 | 1800 | 1735 | 55600414 | 55600416 | 58,00 | 76,00 |
| 2000/3 | 2000 | 1935 | 55670414 | 55670416 | 66,00 | 88,00 |
| 2500/3 | 2500 | 2435 | 55600318 | 55600320 | 78,00 | 106,00 |

Note - each radiator consists of 2 external elements and (n) internal elements- ECOPLUS radiators are supplied as standard with 4 reductions G 1" 1/4 - G 1/2", a blind plug G 1/2", a vent valve- the above prices refer to the standard white color RAL 9016.

ECO PLUS

Radiators and heated towel rails high-performance designed to work at low temperature

Radiators ECO PLUS 4 columns white RAL 9016

| Model | Height (mm) | Wheelbase (mm) | Internal element Code | External element Code | Internal element € | External element € |
|---------------|-------------|----------------|-----------------------|-----------------------|--------------------|--------------------|
| 300/4 | 300 | 235 | 55670318 | 55670320 | 22,00 | 32,00 |
| 400/4 | 400 | 335 | 55685318 | 55685320 | 22,00 | 32,00 |
| 500/4 | 500 | 435 | 55750318 | 55750320 | 18,00 | 28,00 |
| 570/4 | 570 | 500 | 55885318 | 55885320 | 20,00 | 30,00 |
| 600/4 | 600 | 535 | 55600418 | 55600420 | 20,00 | 30,00 |
| 670/4 | 670 | 600 | 55670418 | 55670420 | 20,00 | 30,00 |
| 685/4 | 685 | 615 | 55685410 | 55685412 | 20,00 | 30,00 |
| 750/4 | 750 | 685 | 55750410 | 55750412 | 22,00 | 32,00 |
| 770/4 | 770 | 700 | 55885410 | 55885412 | 22,00 | 32,00 |
| 870/4 | 870 | 800 | 55180410 | 55180412 | 24,00 | 34,00 |
| 885/4 | 885 | 815 | 55200410 | 55200412 | 24,00 | 34,00 |
| 900/4 | 900 | 835 | 55685414 | 55685416 | 24,00 | 36,00 |
| 1000/4 | 1000 | 935 | 55750414 | 55750416 | 26,00 | 40,00 |
| 1200/4 | 1200 | 1135 | 55885414 | 55885416 | 36,00 | 58,00 |
| 1500/4 | 1500 | 1435 | 55685418 | 55685420 | 52,00 | 76,00 |
| 1800/4 | 1800 | 1735 | 55750418 | 55750420 | 62,00 | 94,00 |
| 2000/4 | 2000 | 1935 | 55885418 | 55885420 | 70,00 | 104,00 |
| 2500/4 | 2500 | 2435 | 55180404 | 55180408 | 84,00 | 128,00 |

Note - each radiator consists of 2 external elements and (n) internal elements- ECOPLUS radiators are supplied as standard with 4 reductions G 1" 1/4 - G 1/2", a blind plug G 1/2", a vent valve- the above prices refer to the standard white color RAL 9016.

Termoarredi ECO PLUS/T white RAL 9016 (with tubular circular section)

| Model | | L 435 | L 485 | L 535 | L 585 | L 735 | L 985 |
|----------------|------|----------|----------|----------|----------|----------|----------|
| H713/T | Code | 56713450 | 56713500 | 56713550 | 56713600 | 56713750 | 56713100 |
| | € | 112,00 | 112,00 | 112,00 | 112,00 | 124,00 | 136,00 |
| H1145/T | Code | 56114450 | 56114500 | 56114550 | 56114600 | 56114750 | 56114100 |
| | € | 130,00 | 130,00 | 130,00 | 130,00 | 144,00 | 156,00 |
| H1469/T | Code | 56146450 | 56146500 | 56146550 | 56146600 | 56146750 | 56146100 |
| | € | 154,00 | 154,00 | 154,00 | 154,00 | 170,00 | 186,00 |
| H1757/T | Code | 56175450 | 56175500 | 56175550 | 56175600 | 56175750 | 56175100 |
| | € | 176,00 | 176,00 | 176,00 | 176,00 | 194,00 | 210,00 |

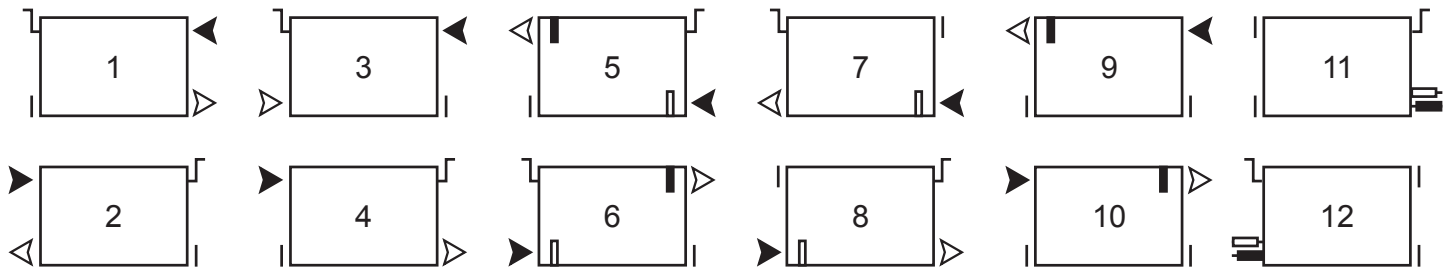
Towel rails ECO PLUS/Q white RAL 9016 (with tubular square section)

| Model | | L 435 | L 485 | L 535 | L 585 | L 735 | L 985 |
|----------------|------|----------|----------|----------|----------|----------|----------|
| H780/Q | Code | 56713451 | 56713501 | 56713551 | 56713601 | 56713751 | 56713101 |
| | € | 212,00 | 220,00 | 224,00 | 226,00 | 236,00 | 262,00 |
| H1165/Q | Code | 56114451 | 56114501 | 56114551 | 56114601 | 56114751 | 56114101 |
| | € | 258,00 | 262,00 | 268,00 | 274,00 | 288,00 | 312,00 |
| H1440/Q | Code | 56146451 | 56146501 | 56146551 | 56146601 | 56146751 | 56146101 |
| | € | 296,00 | 300,00 | 310,00 | 320,00 | 338,00 | 356,00 |
| H1770/Q | Code | 56175451 | 56175501 | 56175551 | 56175601 | 56175751 | 56175101 |
| | € | 340,00 | 344,00 | 348,00 | 354,00 | 374,00 | 396,00 |

ECO PLUS

Radiators and heated towel rails high-performance designed to work at low temperature

Types of connection radiators ECO PLUS

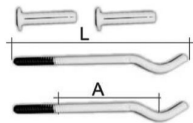


Accessories radiators and heated towel rails ECO PLUS

Code

€

Adjustable percussion shelves



L=190

A=90

55030120

7,00

L=240

A=140

55030121

7,00

Valve and holder with connection for copper pipe



Valve straight

55030140

168,00

Valve 90°

55030141

168,00

Mono / two pipe radiator valve with bypass and holder distance 50 mm



Valve straight

55030150

126,00

Valve 90°

55030151

128,00

Thermostatic head with liquid sensor



mod. standard

55030161

30,00

mod. chrome

55030160

82,00

Adapters for hydraulic pipes



For copper pipe

55030170

9,00

For pex pipe

55030171

11,00

For multilayer pipe

55030172

12,00

Chrome-plated thermostatic valve and holder



mod. straight

55030173

62,00

mod. a T

55030174

62,00

Chrome-plated thermostatic coaxials valve and holder



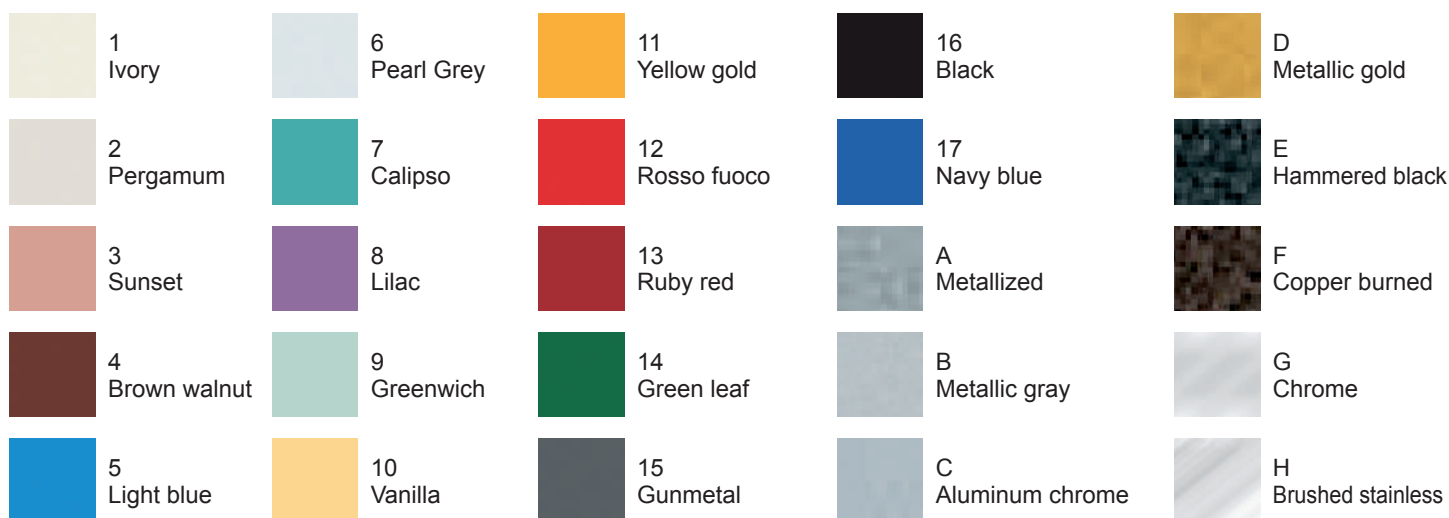
55030175

98,00

ECO PLUS

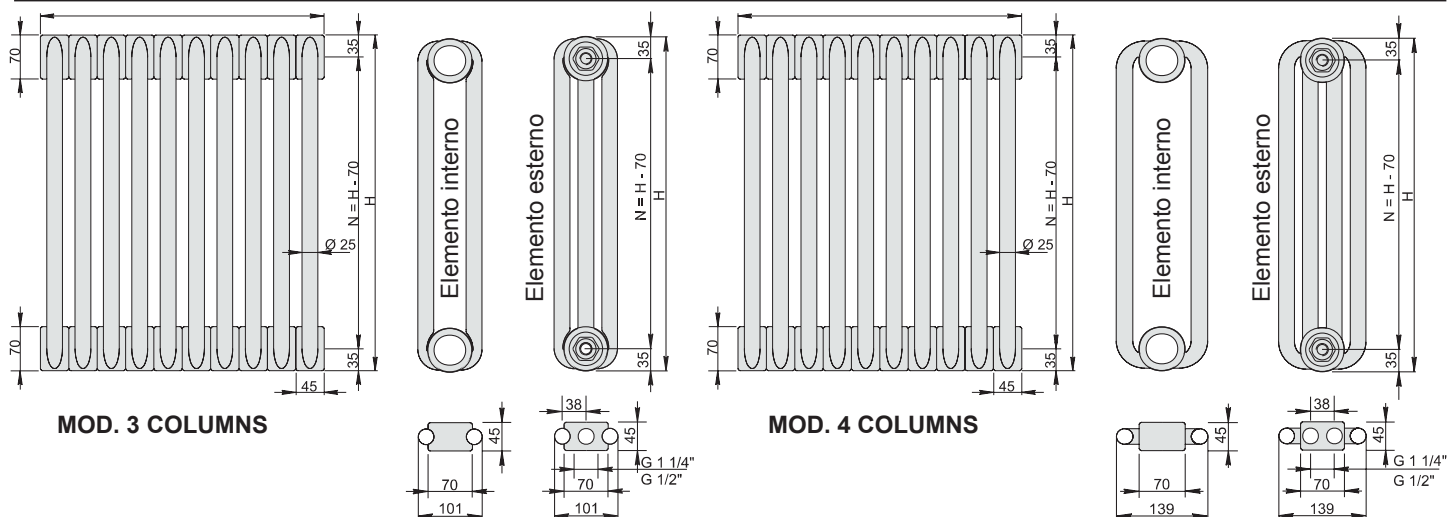
Radiators and heated towel rails high-performance designed to work at low temperature

Available colors to customize the radiators and heated towel rails ECO PLUS



- ECO PLUS with special **pastel colors (1 to 17)** increase in price by 30% compared to standard color white RAL 9016
- ECO PLUS with special **metallic colors (A to H)** increase in price by 40% compared to standard color white RAL 9016

Technical data radiators ECO PLUS



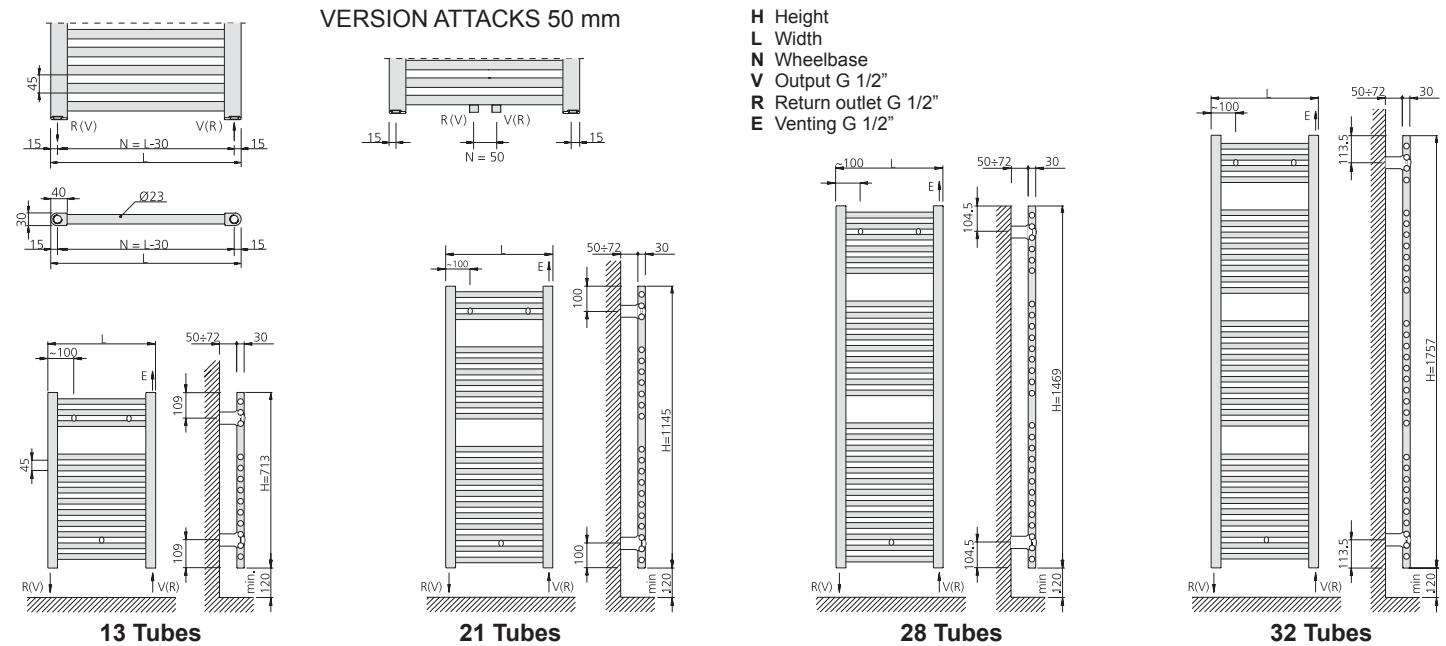
| Model | Height H (mm) | Thickness T (mm) | Wheelbase N (mm) | Weight (Kg) | Exponent (n.) | Content (liter) | Yield el. int.* (W) | Yield el. out.* (W) |
|--------|---------------|------------------|------------------|-------------|---------------|-----------------|---------------------|---------------------|
| 600/3 | 600 | 101 | 535 | 1,18 | 1,27 | 0,73 | 23 | 29 |
| 670/3 | 670 | 101 | 600 | 1,30 | 1,27 | 0,80 | 25 | 31 |
| 685/3 | 685 | 101 | 615 | 1,33 | 1,27 | 0,82 | 26 | 33 |
| 750/3 | 750 | 101 | 685 | 1,42 | 1,28 | 0,86 | 28 | 35 |
| 885/3 | 885 | 101 | 815 | 1,67 | 1,28 | 1,01 | 32 | 40 |
| 1800/3 | 1800 | 101 | 1735 | 3,78 | 1,31 | 1,31 | 60 | 75 |
| 2000/3 | 2000 | 101 | 1935 | 3,95 | 1,30 | 1,66 | 67 | 84 |
| 600/4 | 600 | 139 | 535 | 1,30 | 1,27 | 0,80 | 26 | 33 |
| 670/4 | 670 | 139 | 600 | 1,43 | 1,27 | 0,89 | 29 | 36 |
| 685/4 | 685 | 139 | 615 | 1,46 | 1,27 | 0,97 | 30 | 38 |
| 750/4 | 750 | 139 | 685 | 1,58 | 1,28 | 0,97 | 32 | 40 |
| 885/4 | 885 | 139 | 815 | 1,86 | 1,28 | 1,13 | 37 | 46 |
| 1800/4 | 1800 | 139 | 1735 | 3,82 | 1,31 | 2,11 | 68 | 85 |
| 2000/4 | 2000 | 139 | 1935 | 4,17 | 1,30 | 2,34 | 76 | 95 |

*Incoming water temperature 45 °C, Δt 10 °C, ambient temperature 20 °C

ECO PLUS

Radiators and heated towel rails high-performance designed to work at low temperature

Technical data radiators ECO PLUS/T (with circular section tubular)



| Model | Width L (mm) | Wheelbase N (mm) | Weight (Kg) | Content (liter) | Exponent (n.) | Thermal yield (1) (W) | Thermal yield (2) (W) |
|----------|--------------|------------------|-------------|-----------------|---------------|-----------------------|-----------------------|
| 713/435 | 435 | 405 | 4,81 | 2,91 | 1,25 | 294 | 258 |
| 713/485 | 485 | 455 | 5,16 | 3,14 | 1,25 | 325 | 286 |
| 713/535 | 535 | 505 | 5,54 | 3,36 | 1,25 | 355 | 312 |
| 713/585 | 585 | 555 | 5,87 | 3,59 | 1,25 | 386 | 340 |
| 713/735 | 735 | 705 | 6,92 | 4,26 | 1,24 | 476 | 421 |
| 713/985 | 985 | 955 | 8,61 | 5,39 | 1,23 | 623 | 548 |
| 1145/435 | 435 | 405 | 7,71 | 4,69 | 1,28 | 457 | 402 |
| 1145/485 | 485 | 455 | 8,26 | 5,05 | 1,27 | 505 | 444 |
| 1145/535 | 535 | 505 | 8,84 | 5,42 | 1,27 | 552 | 485 |
| 1145/585 | 585 | 555 | 9,37 | 5,78 | 1,27 | 600 | 528 |
| 1145/735 | 735 | 705 | 11,02 | 6,87 | 1,26 | 739 | 650 |
| 1145/985 | 985 | 955 | 13,81 | 8,69 | 1,25 | 968 | 851 |
| 1469/435 | 435 | 405 | 10,02 | 6,15 | 1,27 | 603 | 530 |
| 1469/485 | 485 | 455 | 10,81 | 6,63 | 1,27 | 660 | 580 |
| 1469/535 | 535 | 505 | 11,58 | 7,12 | 1,27 | 718 | 631 |
| 1469/585 | 585 | 555 | 12,24 | 7,60 | 1,27 | 778 | 684 |
| 1469/735 | 735 | 705 | 14,44 | 9,05 | 1,27 | 951 | 836 |
| 1469/985 | 985 | 955 | 18,22 | 11,48 | 1,27 | 1242 | 1092 |
| 1757/435 | 435 | 405 | 11,72 | 7,17 | 1,27 | 703 | 618 |
| 1757/485 | 485 | 455 | 12,51 | 7,72 | 1,26 | 776 | 685 |
| 1757/535 | 535 | 505 | 13,48 | 8,28 | 1,26 | 848 | 746 |
| 1757/585 | 585 | 555 | 14,24 | 8,83 | 1,26 | 922 | 783 |
| 1757/735 | 735 | 705 | 16,74 | 10,49 | 1,25 | 1137 | 1001 |
| 1757/985 | 985 | 955 | 21,02 | 13,26 | 1,24 | 1490 | 1304 |

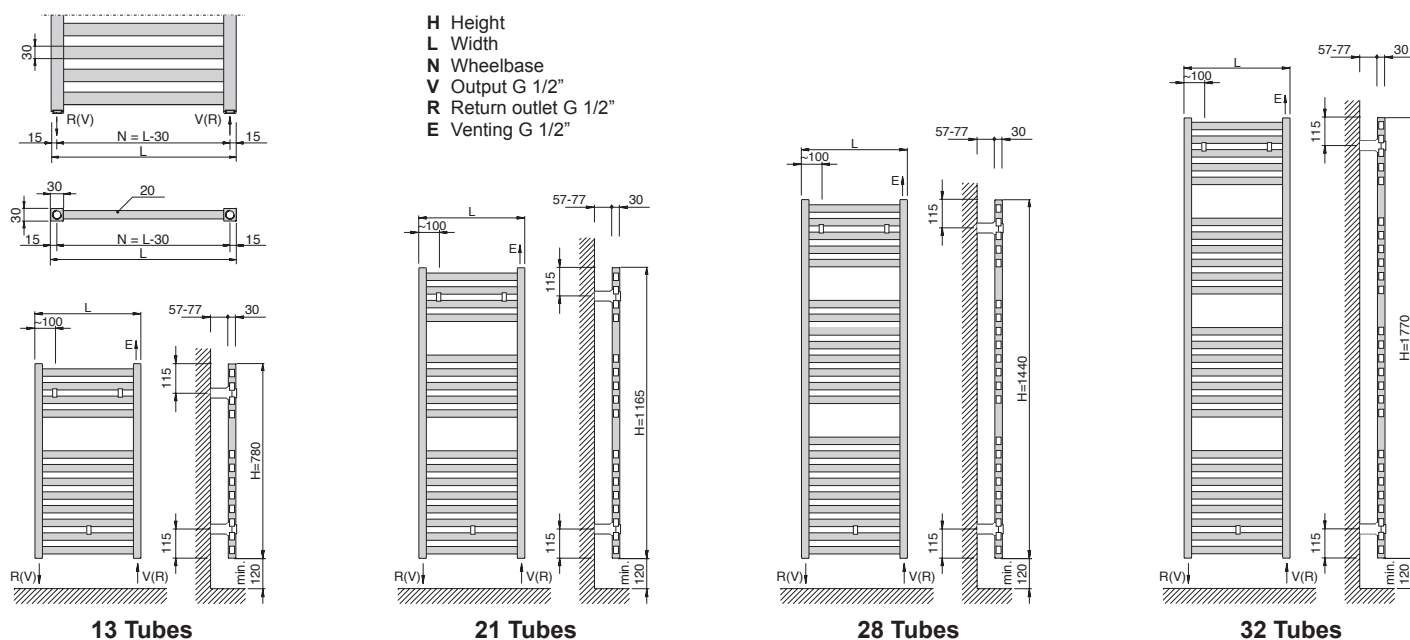
(1) Inlet water temperature 60 °C, Δt 10 °C, ambient temperature 20 °C

(2) Inlet water temperature 50 °C, Δt 10 °C, ambient temperature 20 °C

ECO PLUS

Radiators and heated towel rails high-performance designed to work at low temperature

Technical data Towel rails ECO PLUS/Q (with tubular square section)



| Model | Width L (mm) | Wheelbase N (mm) | Weight (Kg) | Content (litri) | Exponent (n.) | Thermal yield ⁽¹⁾ (W) | Thermal yield ⁽²⁾ (W) |
|----------|--------------|------------------|-------------|-----------------|---------------|----------------------------------|----------------------------------|
| 780/435 | 435 | 405 | 4,93 | 3,20 | 1,24 | 286 | 248 |
| 780/485 | 485 | 455 | 5,29 | 3,48 | 1,24 | 315 | 274 |
| 780/535 | 535 | 505 | 5,64 | 3,75 | 1,24 | 343 | 308 |
| 780/585 | 585 | 555 | 6,01 | 4,03 | 1,24 | 372 | 334 |
| 780/735 | 735 | 705 | 7,08 | 4,86 | 1,23 | 456 | 410 |
| 780/985 | 985 | 955 | 8,86 | 6,23 | 1,23 | 591 | 531 |
| 1165/435 | 435 | 405 | 7,16 | 4,62 | 1,25 | 417 | 375 |
| 1165/485 | 485 | 455 | 7,67 | 5,01 | 1,24 | 460 | 414 |
| 1165/535 | 535 | 505 | 8,17 | 5,40 | 1,24 | 502 | 451 |
| 1165/585 | 585 | 555 | 8,69 | 5,80 | 1,24 | 543 | 488 |
| 1165/735 | 735 | 705 | 10,21 | 6,97 | 1,24 | 666 | 579 |
| 1165/985 | 985 | 955 | 12,72 | 8,92 | 1,24 | 863 | 750 |
| 1440/435 | 435 | 405 | 9,08 | 5,89 | 1,25 | 506 | 440 |
| 1440/485 | 485 | 455 | 9,74 | 6,39 | 1,25 | 558 | 485 |
| 1440/535 | 535 | 505 | 10,38 | 6,90 | 1,25 | 609 | 530 |
| 1440/585 | 585 | 555 | 11,06 | 7,40 | 1,25 | 659 | 579 |
| 1440/735 | 735 | 705 | 13,02 | 8,92 | 1,25 | 807 | 702 |
| 1440/985 | 985 | 955 | 16,27 | 11,44 | 1,25 | 1047 | 911 |
| 1770/435 | 435 | 405 | 10,92 | 7,06 | 1,25 | 608 | 528 |
| 1770/485 | 485 | 455 | 11,70 | 7,65 | 1,25 | 669 | 582 |
| 1770/535 | 535 | 505 | 12,45 | 8,25 | 1,24 | 730 | 635 |
| 1770/585 | 585 | 555 | 13,26 | 8,85 | 1,24 | 791 | 688 |
| 1770/735 | 735 | 705 | 15,57 | 10,64 | 1,24 | 969 | 852 |
| 1770/985 | 985 | 955 | 19,42 | 13,62 | 1,23 | 1257 | 1093 |

(1) Inlet water temperature 60 °C, Δt 10 °C, ambient temperature 20 °C

(2) Inlet water temperature 50 °C, Δt 10 °C, ambient temperature 20 °C